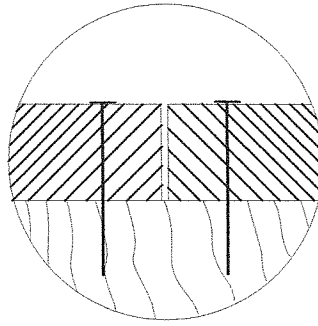


R O O F M A I N T E N A N C E S Y S T E M S



1/8" Space at panel ends and edges

8d nails @ 6" o.c.

1/2" Plywood sheathing must span a minimum of 2 trusses or brace supports must be used

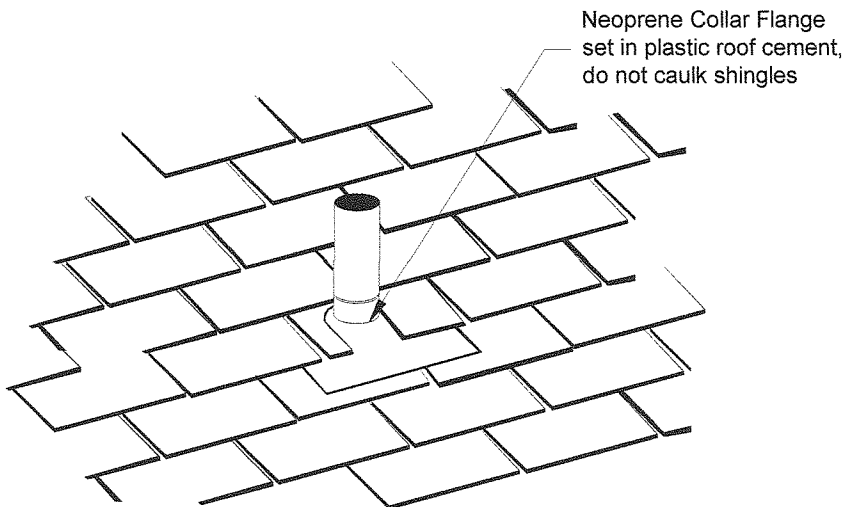
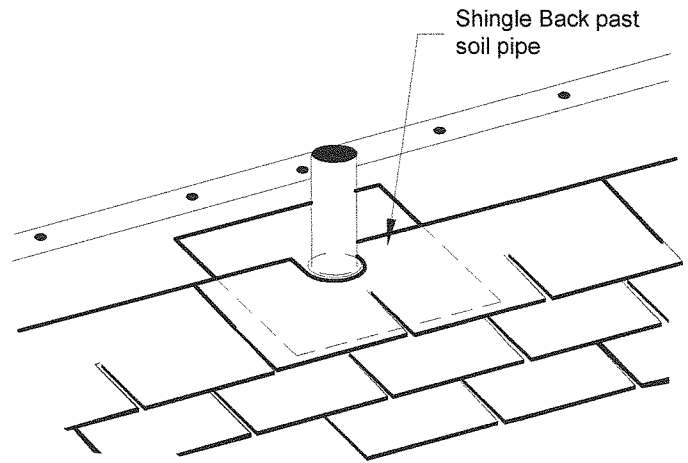
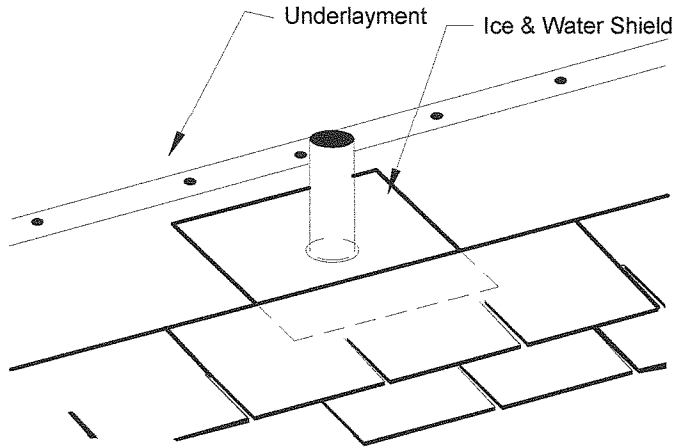
Brace supports where needed
2x wood blocking above and below roof penetrations with 3/4" holes drilled 4" o.c. for ventilation

CLIENT: SOCIETY HILL	TITLE: SHEATHING BLOCKING DETAIL	DATE: 08-2010	DRAWING # 10-047-1
ADDRESS: PISCATAWAY, NJ		DRAWING BY: MC/PM	SCALE: N.T.S.

ROOF MAINTENANCE SYSTEMS

Notes:

1. Install 12" x 12" ice & water shield around penetration.
2. Install shingles until back of shingle is beyond penetration.
3. Set flange in bed of plastic roof cement.
4. Install shingles and cut tight to pipe collar.
5. Do not caulk or cement shingles, allow water to release.



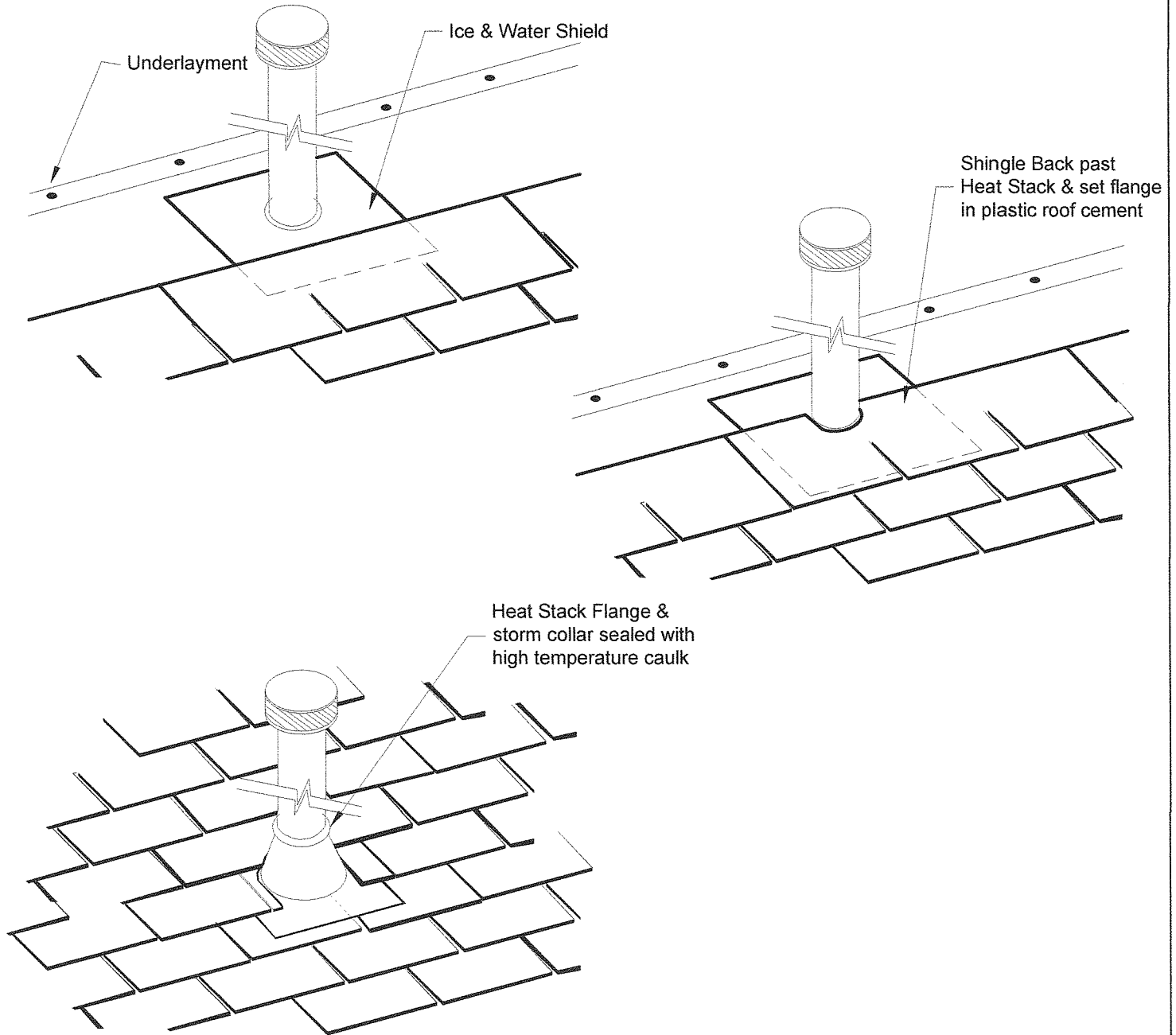
CLIENT: SOCIETY HILL ADDRESS: PICATAWAY, NJ	TITLE: SOIL STACK DETAIL	DATE: 08-2010 DRAWING BY: MC/PM	DRAWING # 10-047-2 SCALE: N.T.S.
--	-------------------------------------	--	---



ROOF MAINTENANCE SYSTEMS

Notes:

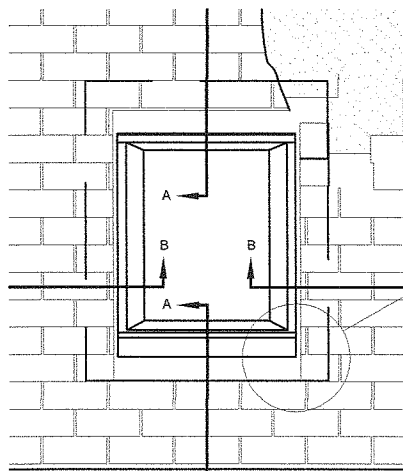
1. Install ice & water shield around penetration extending 12" in all directions beyond deck opening
2. Install shingles until back of shingle is beyond penetration.
3. Set flange in bed of plastic roof cement.
4. Install shingles and cut tight to heat stack sleeve.
5. Do not caulk or cement shingles, allow water to release.
6. Install storm collar over heat stack sleeve. Properly secure and seal with high temperature caulk.



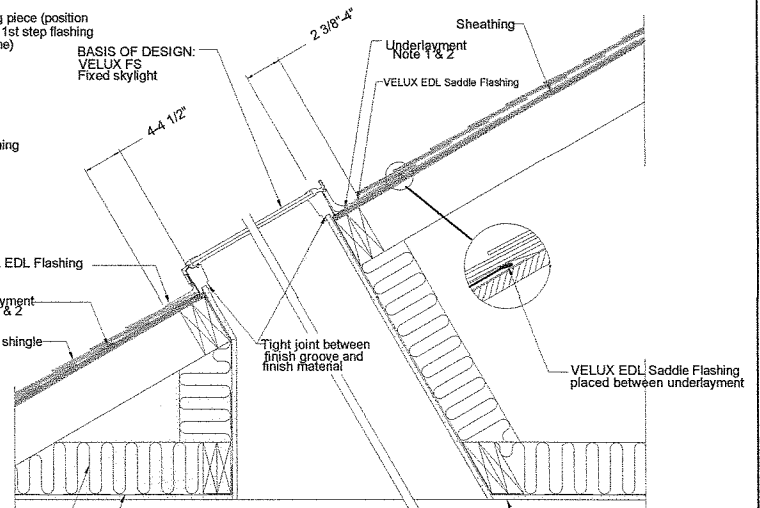
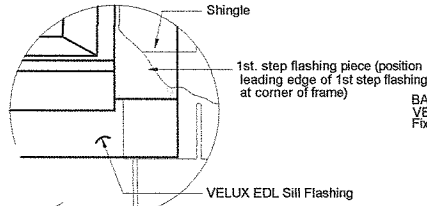
CLIENT: SOCIETY HILL	TITLE: HEAT STACK DETAIL	DATE: 9-2010	DRAWING # 10-047-3
ADDRESS: PICATAWAY, NJ		DRAWING BY: MC/PM	SCALE: N.T.S.



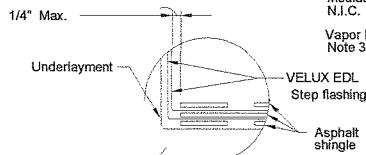
ROOF MAINTENANCE SYSTEMS



ELEVATION



SECTION A-A



BASIS OF DESIGN:
VELUX FS
Fixed skylight

Mounting bracket
Attach to roof deck
with nails furnished
with skylight.

Sheathing

Tight joint
between finish
groove and
finish material.

VELUX EDL
Step flashing

Underlayment
Note 1 & 2

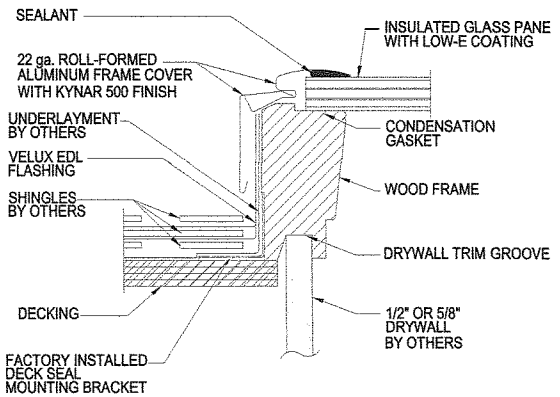
Insulation
N.I.C.

Vapor barrier
Note 3 N.I.C.

Finish material
N.I.C.

SECTION B-B

Blocking as required
per code(s).
Insulate carefully
around shaft
N.I.C.



1. Wrap frame in ZOZ 216 adhesive underlayment included with VELUX flashing.
2. Ice & Water Shield to be folded up against all sides of skylight.
3. Vapor barrier should be used to avoid moisture.
4. All framing and interior work N.I.C.

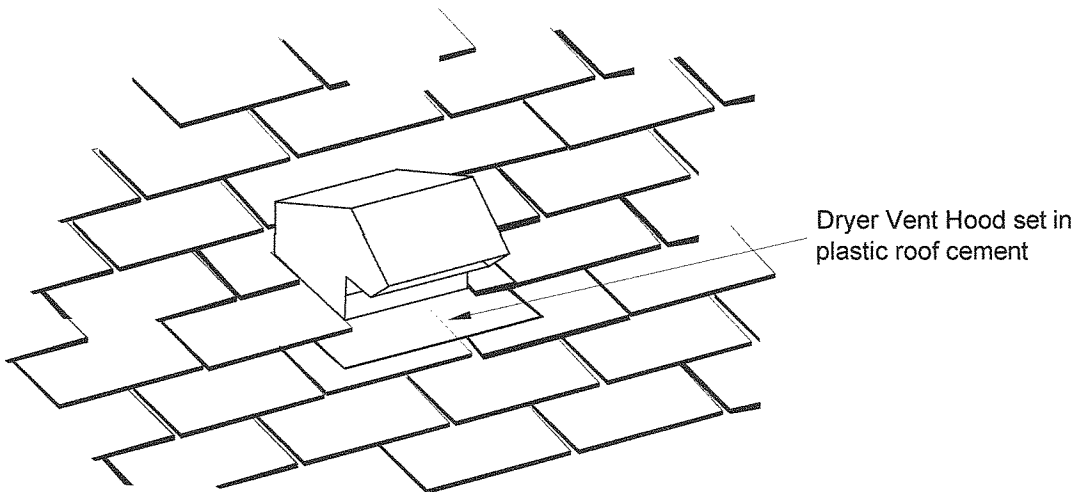
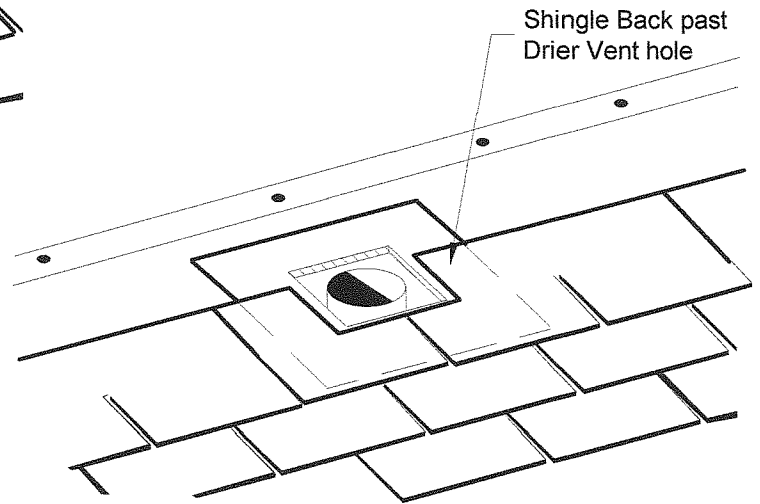
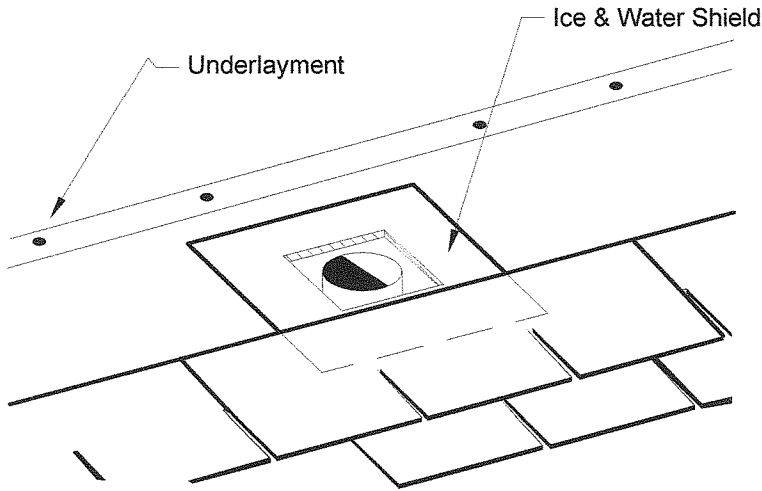
CLIENT: SOCIETY HILL	TITLE: VELUX SKYLIGHT DETAIL	DATE: 08-2010	DRAWING # 10-047-4
ADDRESS: PISCATAWAY, NJ		DRAWING BY: MC/PM	SCALE: N.T.S.



ROOF MAINTENANCE SYSTEMS

Notes:

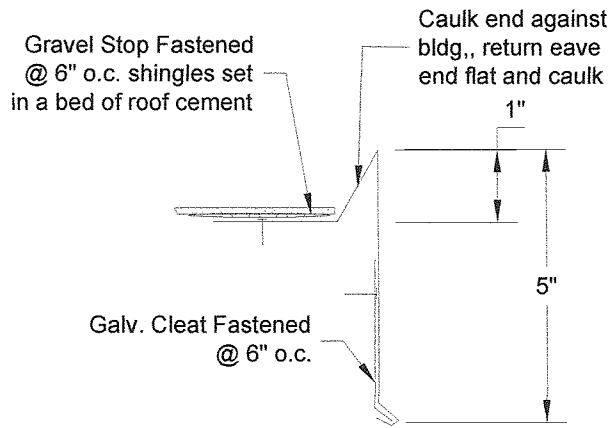
1. Install ice & water shield around penetration - extending 12" in all directions beyond deck opening
2. Install shingles until back of shingle is beyond penetration.
3. Set flange in bed of plastic roof cement.
4. Install shingles and cut tight to dryer vent.
5. Do not caulk or cement shingles, allow water to release.



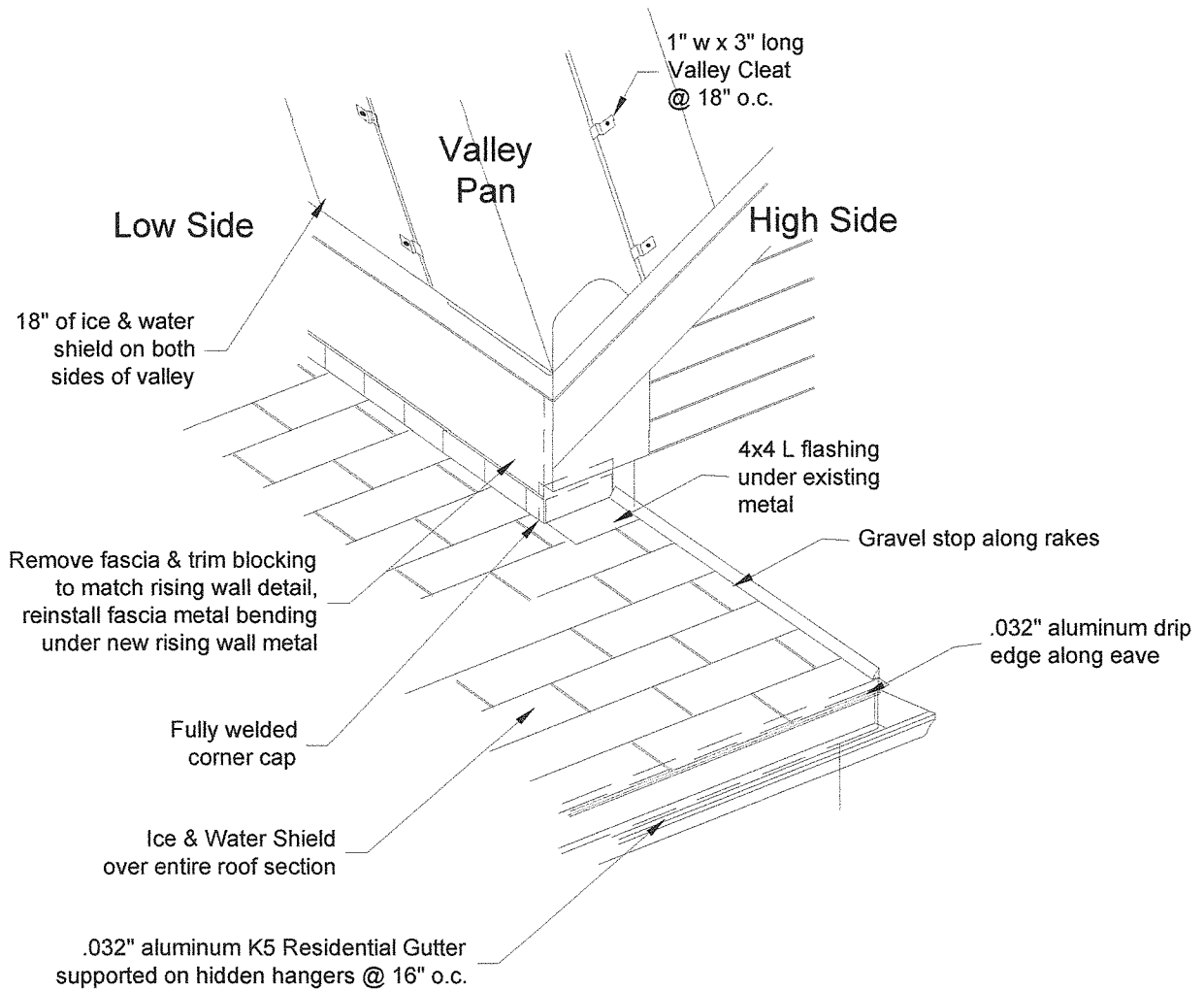
CLIENT: SOCIETY HILL	TITLE: DRYER VENT DETAIL	DATE: 08-2010	DRAWING #: 10-047-5
ADDRESS: PISCATAWAY, NJ		DRAWING BY: MC/PM	SCALE: N.T.S.



ROOF MAINTENANCE SYSTEMS



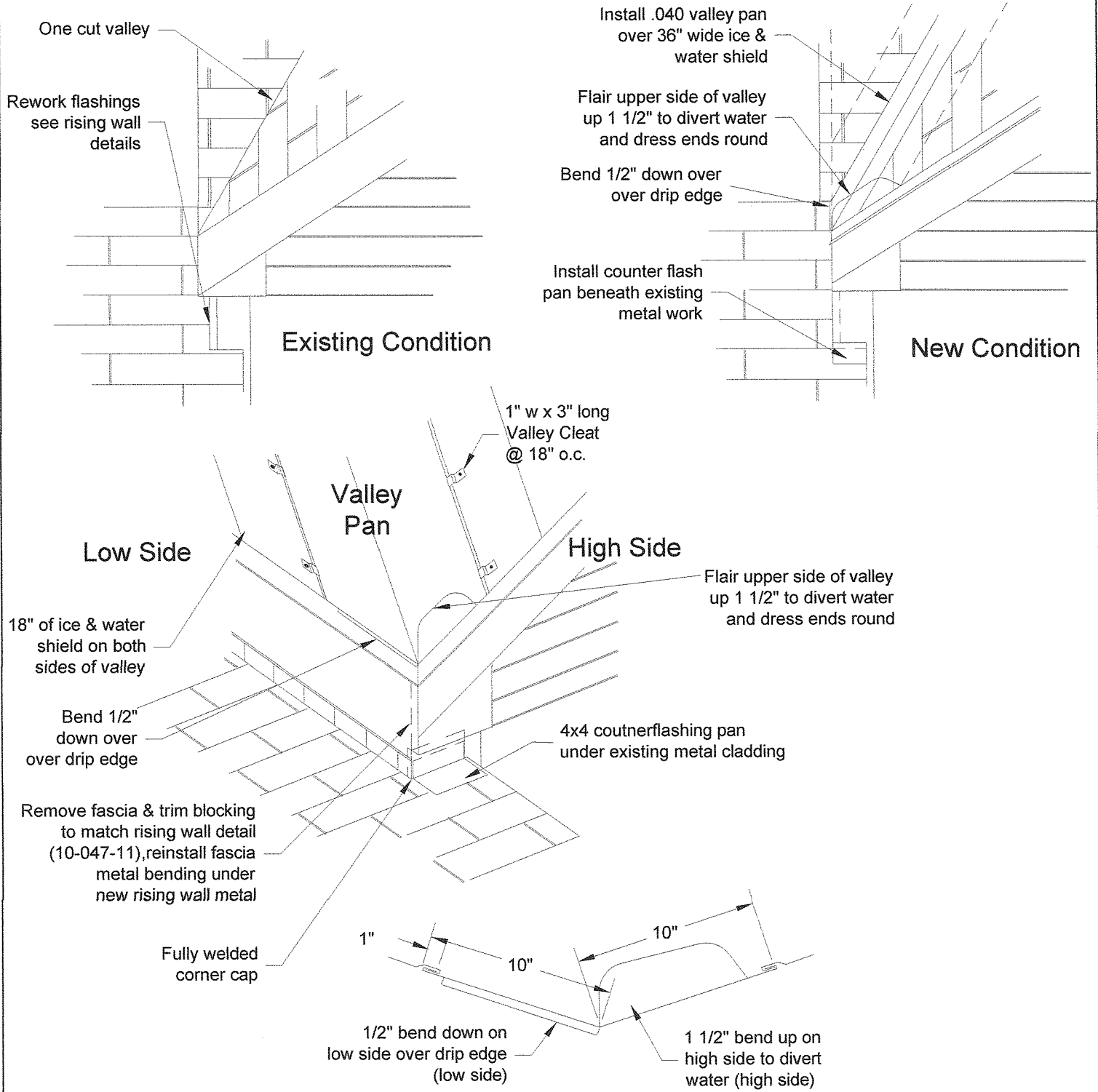
.032 Alum. Gravel Stop



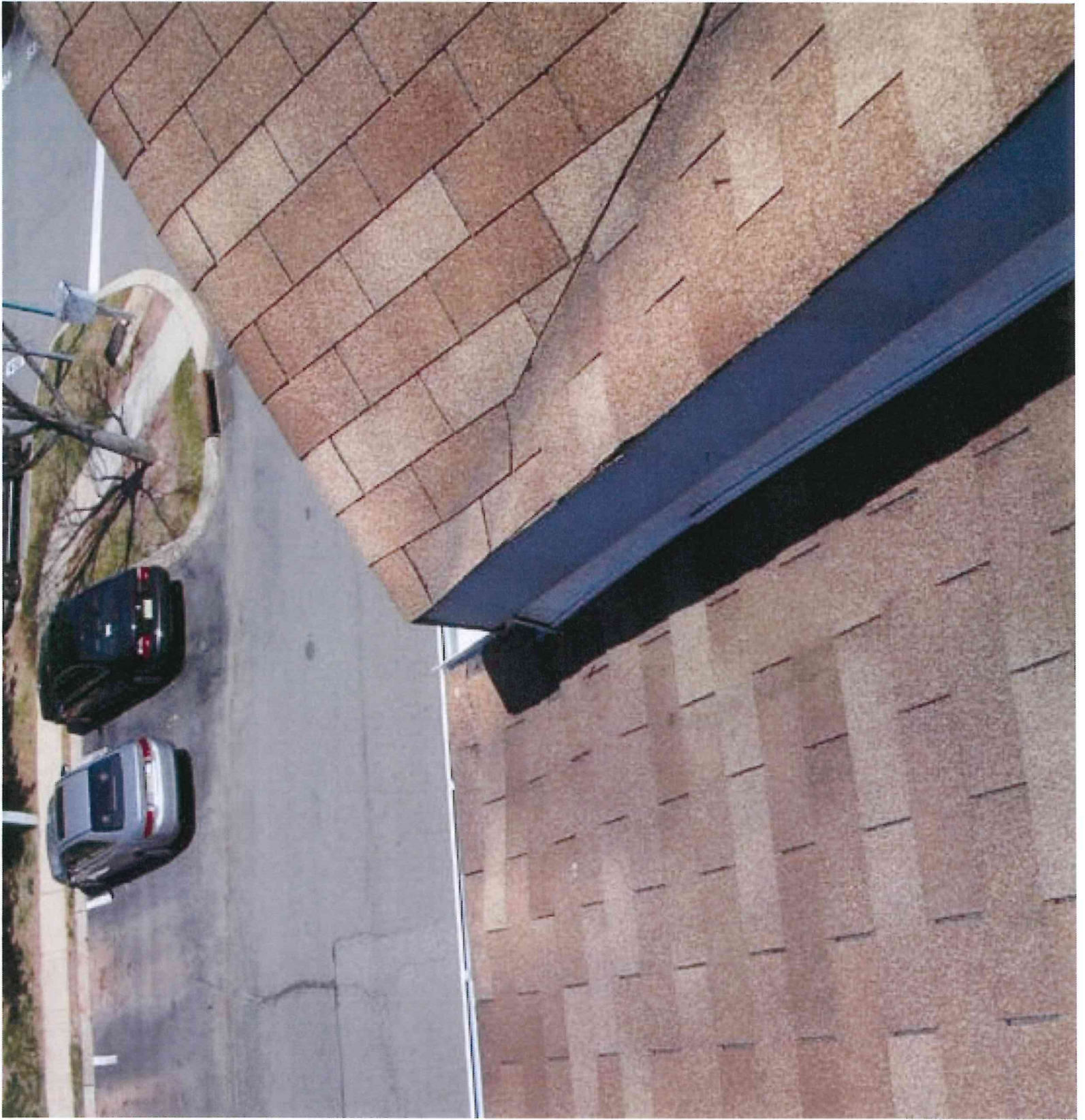
CLIENT: SOCIETY HILL ADDRESS: PISCATAWAY, NJ	TITLE: STAIRWELL EAVE END DETAIL	DATE: 08-2010 DRAWING BY: MC/PM	DRAWING # 10-047-6 SCALE: N.T.S.
---	---	--	---



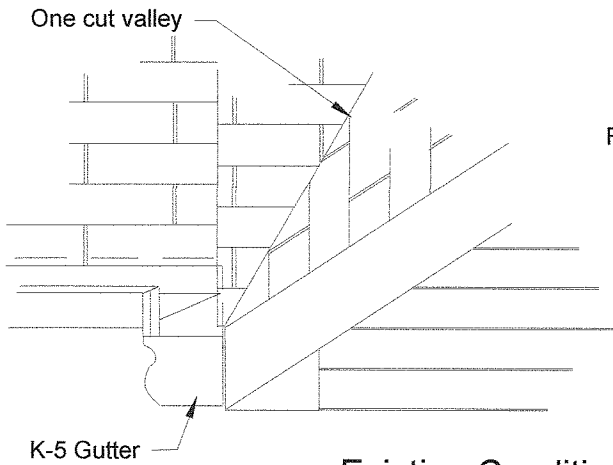
ROOF MAINTENANCE SYSTEMS



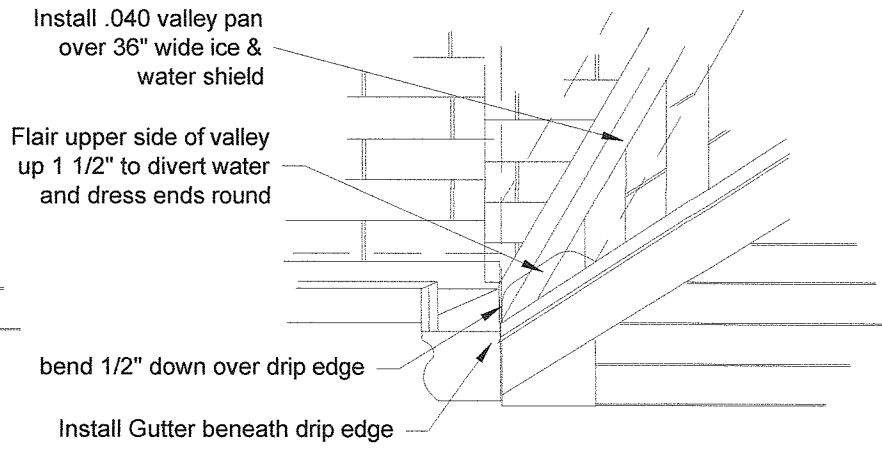
CLIENT: SOCIETY HILL ADDRESS: PISCATAWAY, NJ	TITLE: RAISED DORMER VALLEY DETAIL	DATE: 08-2010 DRAWING BY: MC/PM	DRAWING # 10-047-7 SCALE: N.T.S.
---	---	--	---



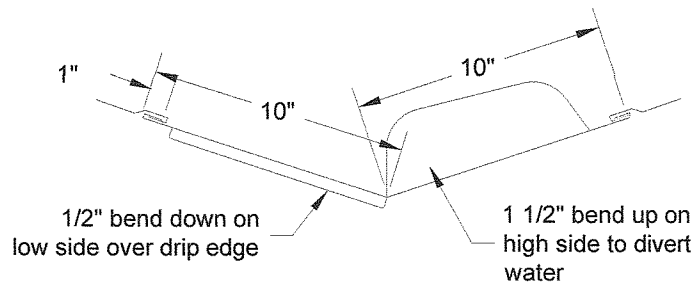
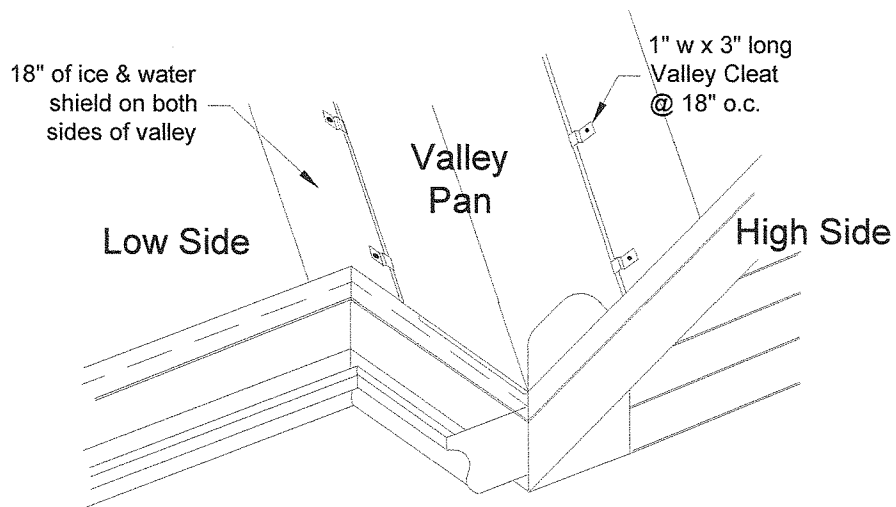
ROOF MAINTENANCE SYSTEMS



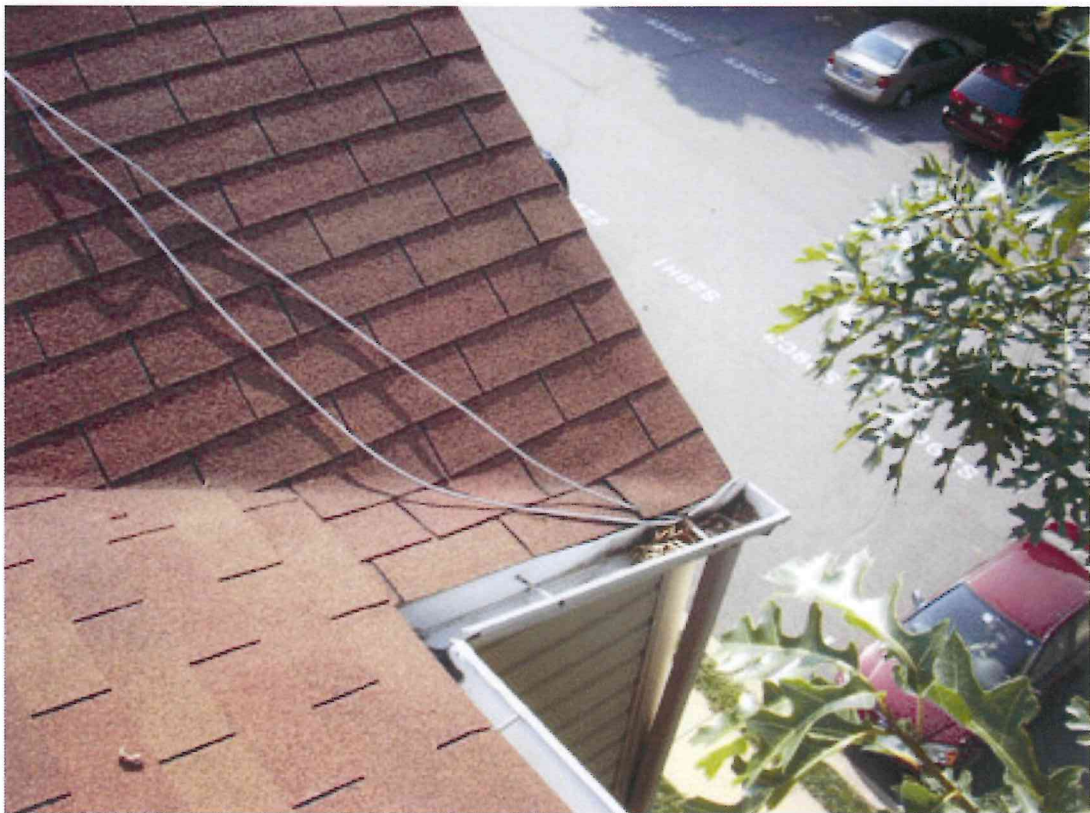
Existing Condition



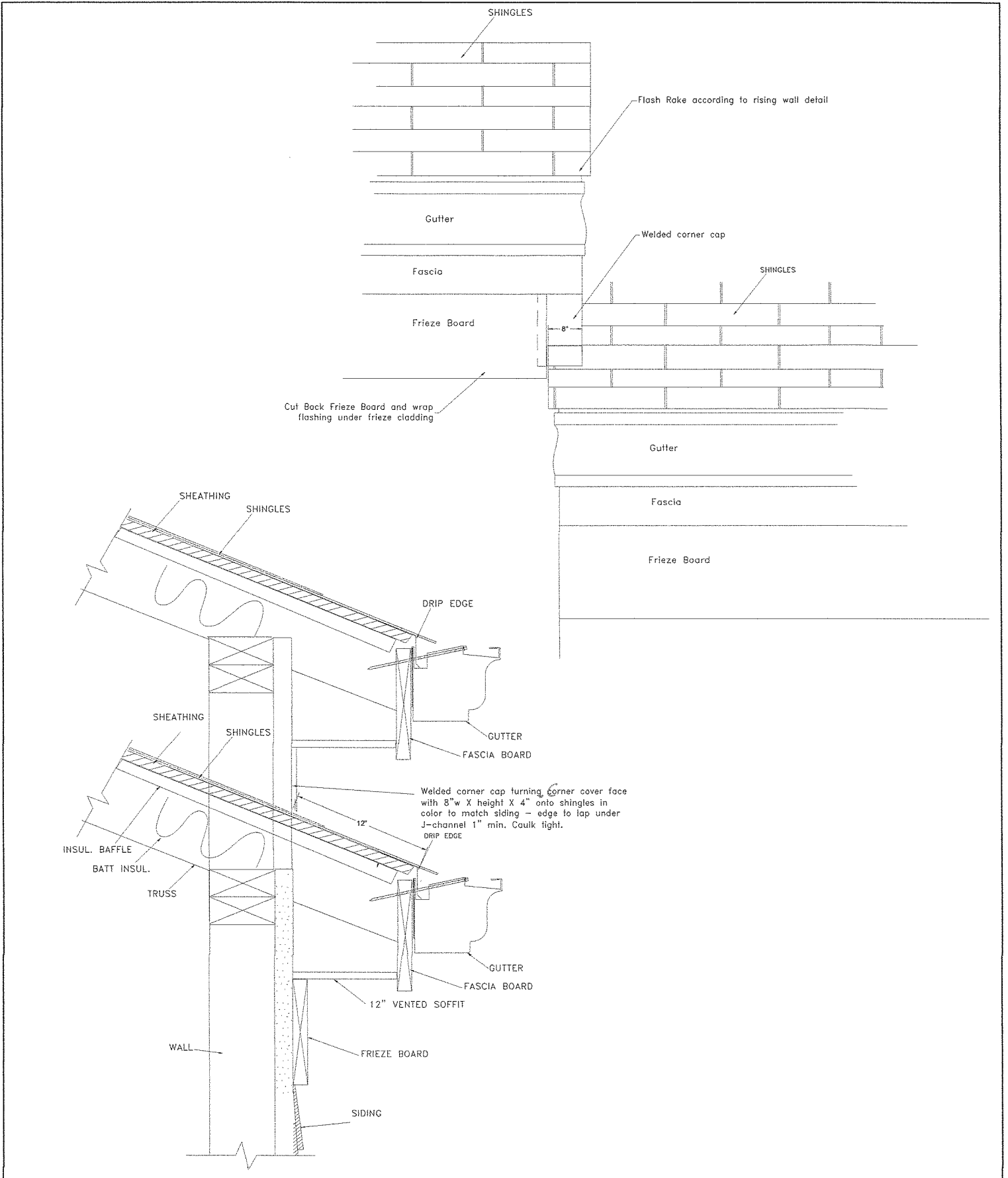
New Condition



CLIENT: SOCIETY HILL ADDRESS: PISCATAWAY, NJ	TITLE: EXTENDED DORMER VALLEY DETAIL	DATE: 08-2010 DRAWING BY: MC/PM	DRAWING # 10-047-8 SCALE: N.T.S.
---	---	--	---



ROOF MAINTENANCE SYSTEMS

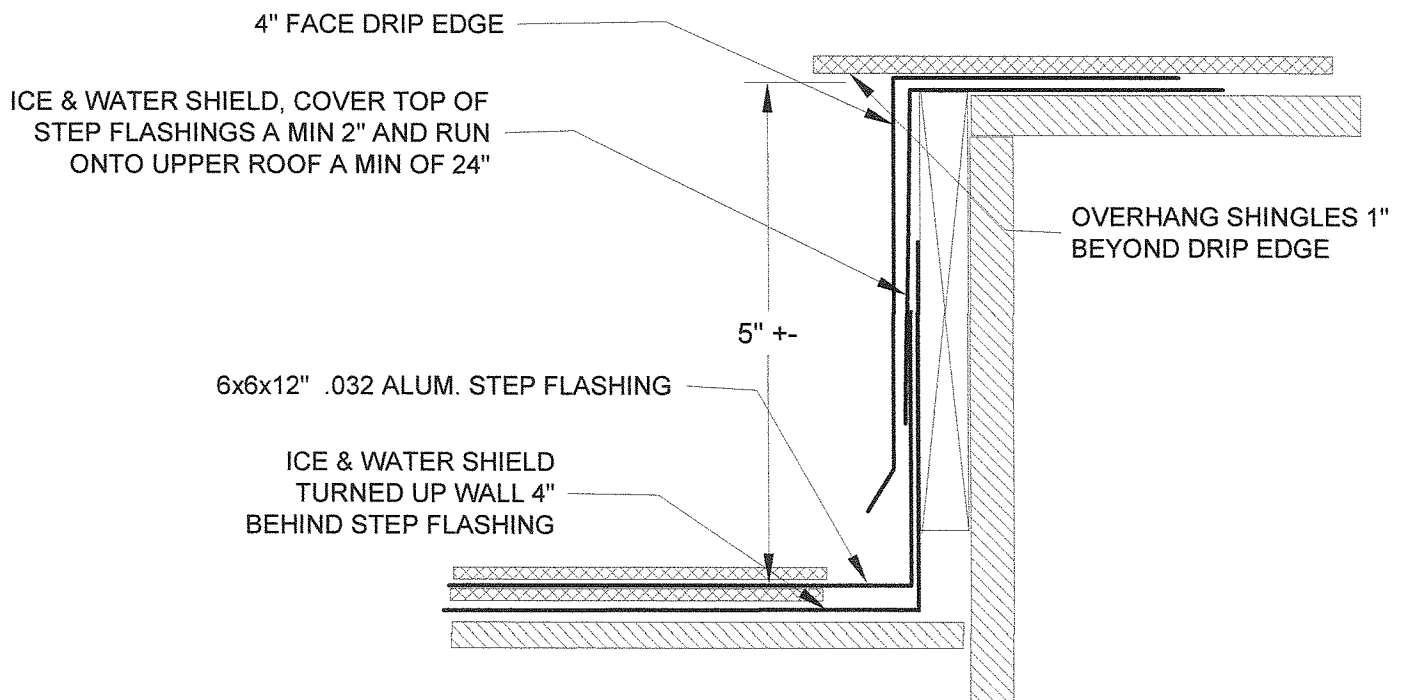


CLIENT: SOCIETY HILL	TITLE: OVERHANGING ROOF DETAIL	DATE: 08-2010	DRAWING # 10-047-9
ADDRESS: PISCATAWAY, NJ		DRAWING BY: MC/PM	SCALE: N.T.S.



Notes:

1. Remove existing fascia down to 1x lumber.
2. Repair or replace any damaged 1x lumber and plywood with same type and kind.
3. Install Ice & Water shield to turn up 4" up side wall.
4. Install shingles and step flashing in lap manner up roof.
5. Install Ice & Water shield 24" onto upper roof and down over step flashings a min of 2".
6. Install 4" face drip edge over top of step flashings and nail every 6" o.c.



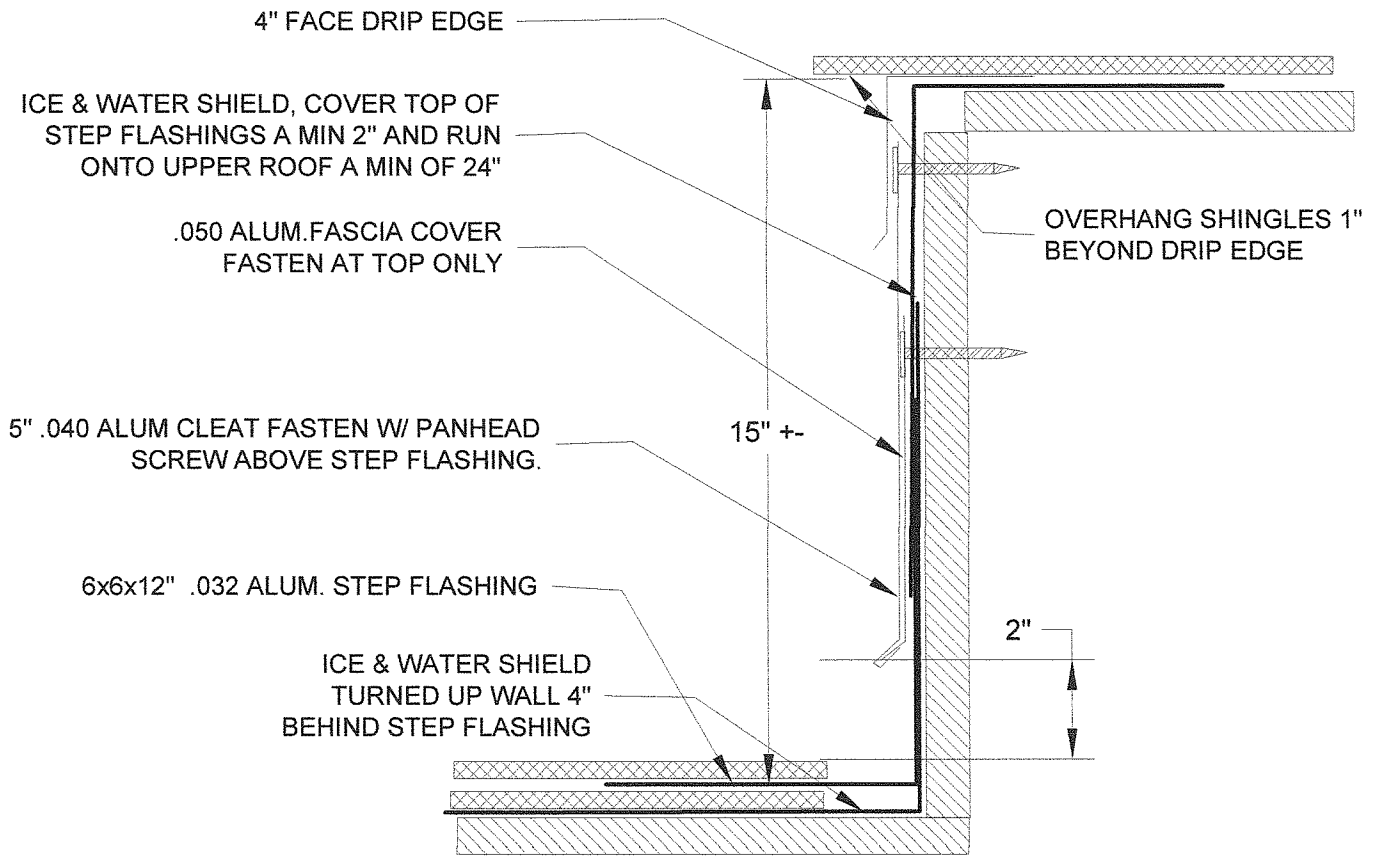
CLIENT: SOCIETY HILL	TITLE: 5" RISING WALL DETAIL	DATE: 08-2010	DRAWING # 10-047-10
ADDRESS: PICATAWAY, NJ		DRAWING BY: MC/PM	SCALE: N.T.S.



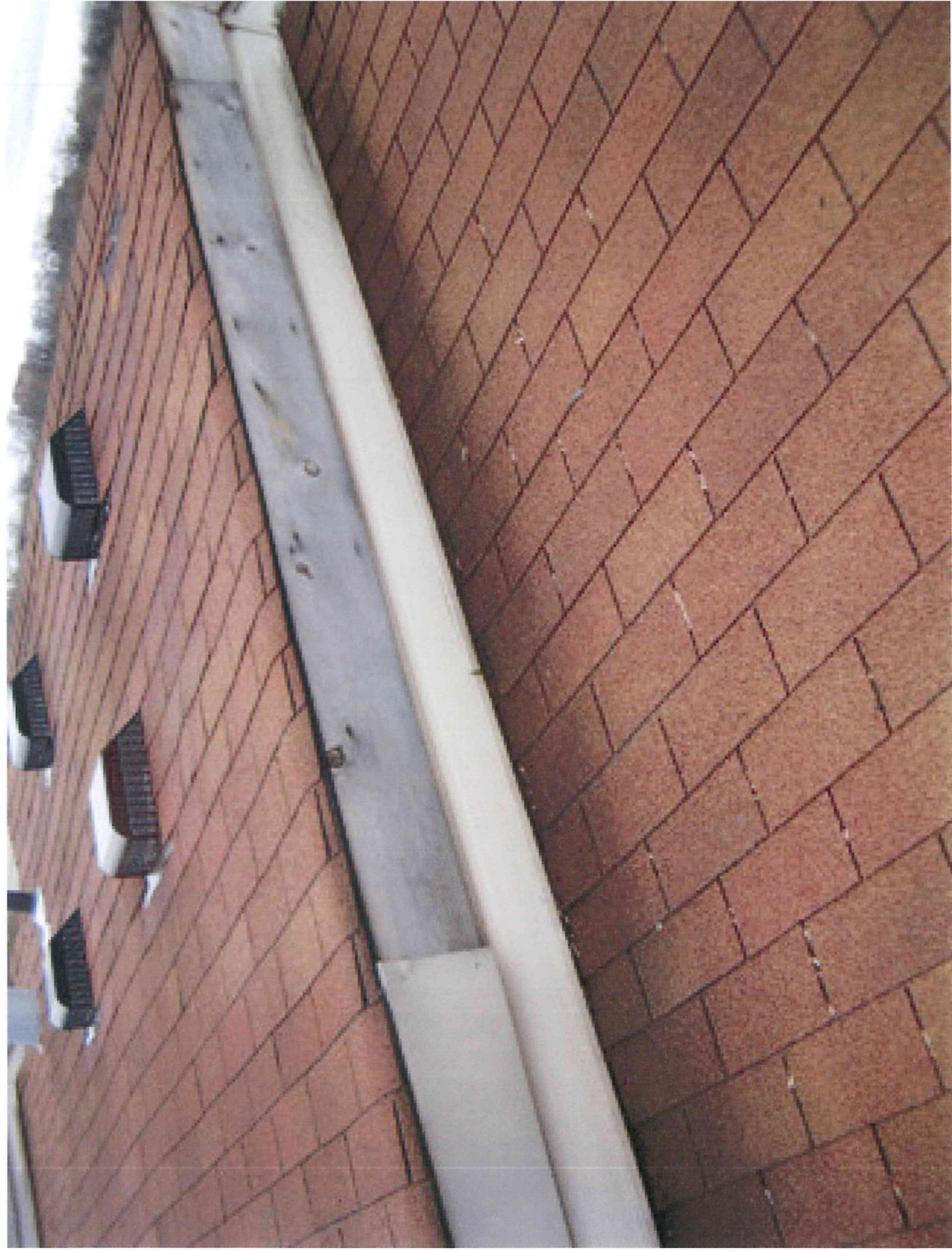
R O O F M A I N T E N A N C E S Y S T E M S

Notes:

1. Remove existing siding, J-Channel and 2x fascia down to plywood.
2. Repair or replace any damaged plywood with same type and kind.
3. Install Ice & Water shield on deck and up side wall 4".
4. Install shingles and step flashing in lap manner up roof.
5. Install Ice & Water shield 24" onto upper roof and down over step flashings a min of 2".
6. Install metal cleat over step flashings screwing into wall above step flashings and leaving a 2" gap between shingles and bottom edge of cleat. Do not screw thru step flashing
7. Install .050 fascia cover secured by cleat and fastened along top edge 8" o.c. loose lock overlaps.
8. Install 4" face drip edge over top of fascia cover and nail every 6" o.c.



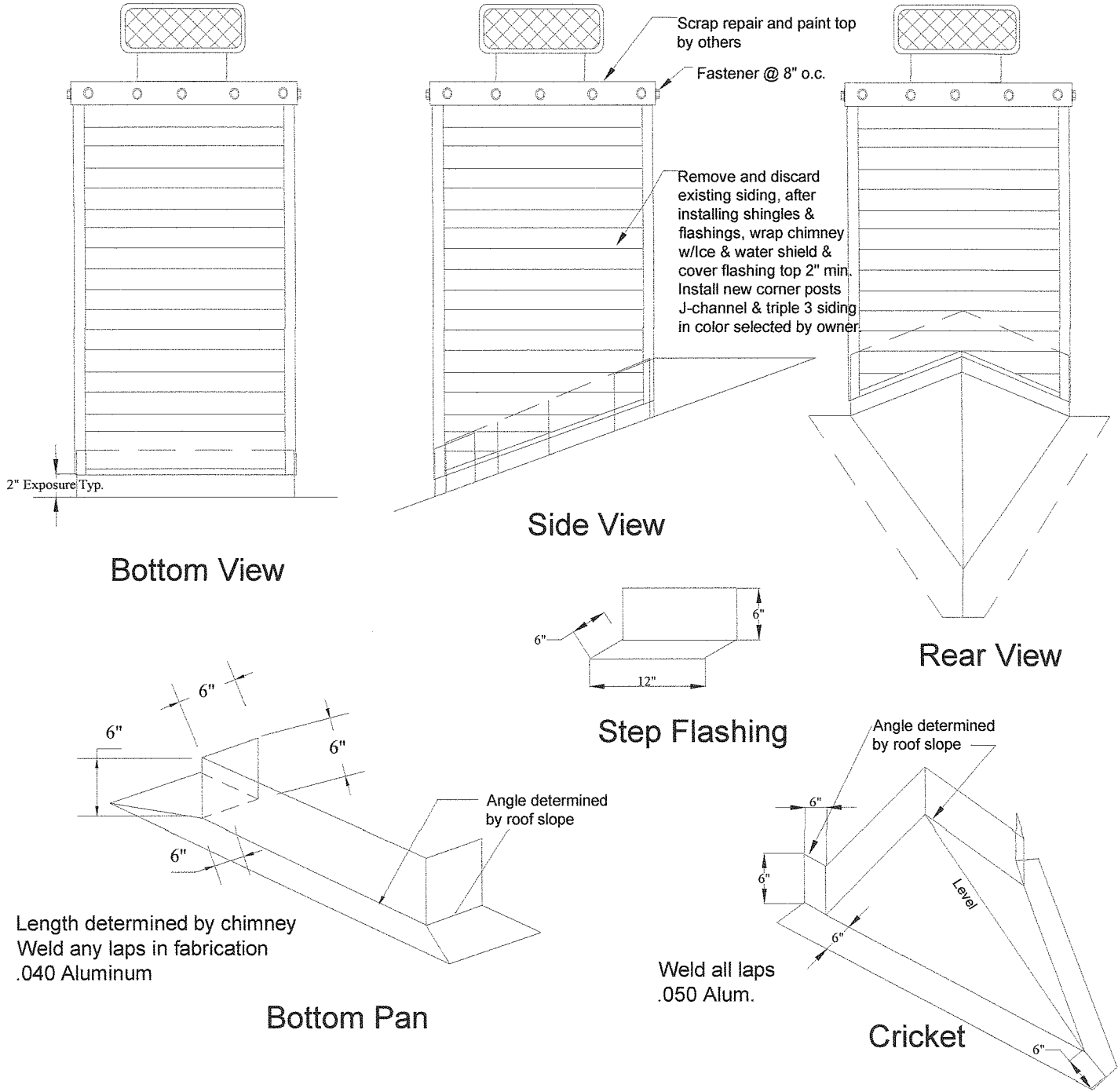
CLIENT: SOCIETY HILL	TITLE: 15" RISING WALL DETAIL	DATE: 8-2010	DRAWING # 10-047-11
ADDRESS: PICATAWAY, NJ		DRAWING BY: MC/PM	SCALE: N.T.S.



R O O F M A I N T E N A N C E S Y S T E M S

Notes:

1. Remove existing siding, corner posts, J-channel and flashings and discard.
2. Install 36" of ice & water shield on the roof deck around the perimeter of the chimney and turn up the sides a min of 4".
3. Install shingles until back of row extends 4" beyond low side of chimney and install bottom pan.
4. Install shingles up the roof slope installing one step flashing per shingle course.
5. Install cricket, setting pans in a continuous coat of plastic roofing cement.
6. Install shingles cutting them tight to the angle change of the cricket.
7. Wrap chimney structure in ice & water shield extending over the tops of the metal flashing a min. of 2"
8. Install new corner posts and J-channel leaving a 2" exposure of the flashings.
9. Install new triple 3" siding.
10. The top pan of the chimney shall be fastened at a min of 8" o.c.
11. The top pan of the chimney shall be scraped and painted by others



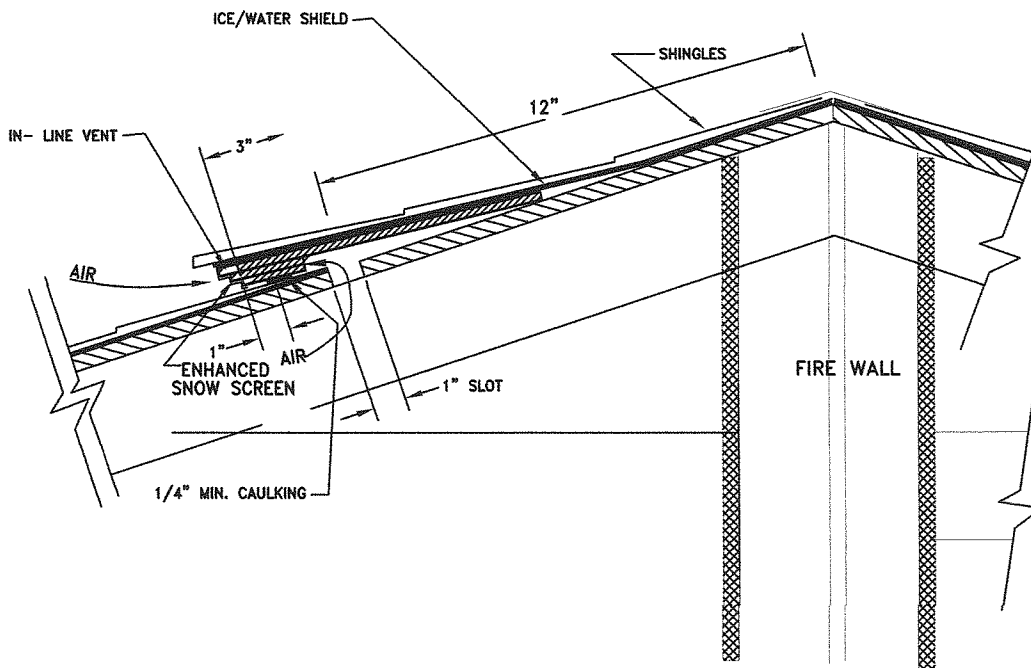
CLIENT: SOCIETY HILL	TITLE: CENTER ROOF CHIMNEY DETAIL	DATE: 08-2010	DRAWING # 10-047-12
ADDRESS: PISCATAWAY, NJ		DRAWING BY: MC/PM	SCALE: N.T.S.



ROOF MAINTENANCE SYSTEMS

Notes:

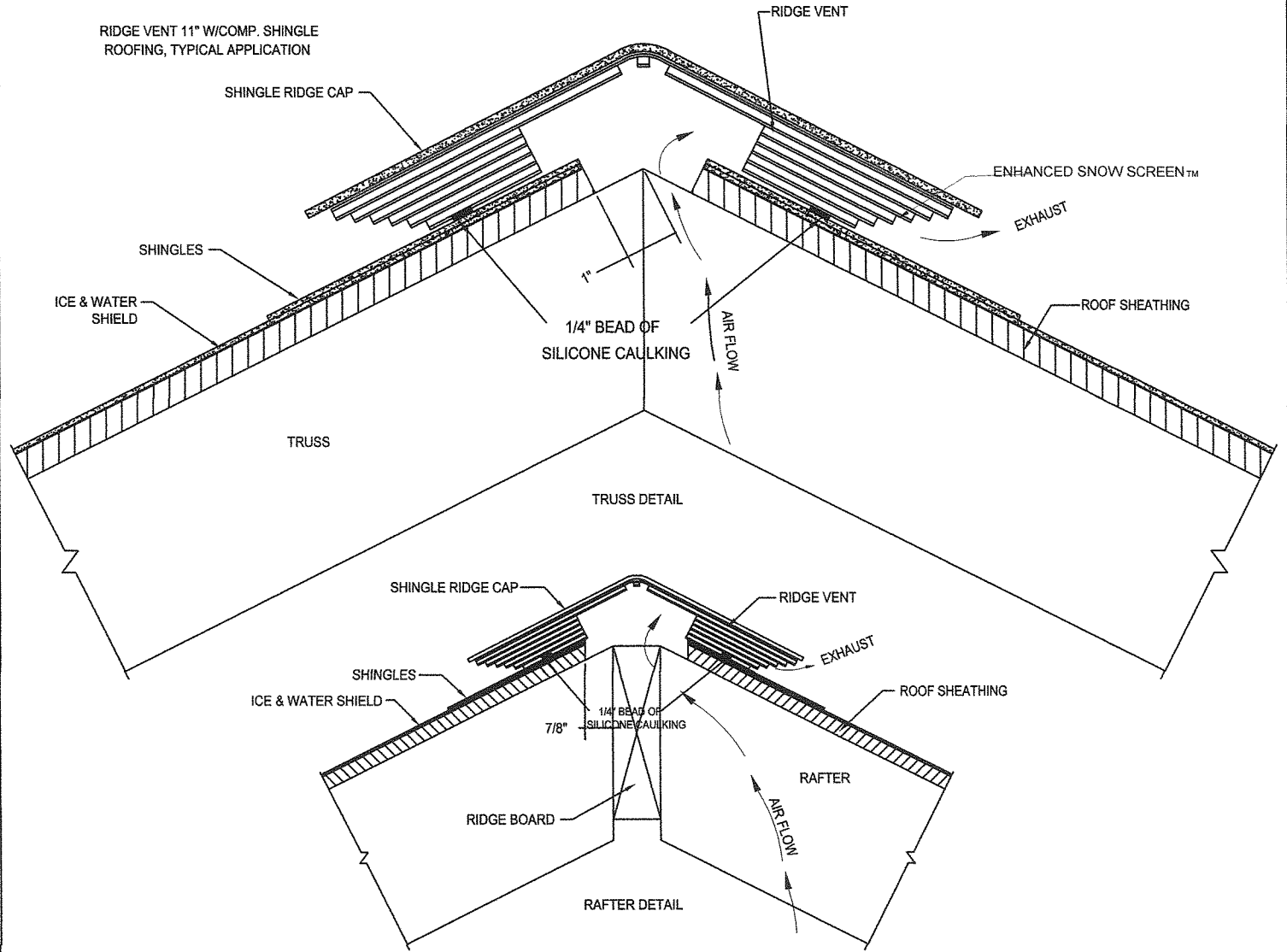
1. Replace or install plywood at ridge so that it extends to within 1/2" at the peak.
2. On both sides of the ridge, Install a 1" slot 12" down from the ridge, stopping 12" from the rakes.
3. Install shingles up until exposure is no greater than 3" from slot and cut out shingle back to expose slot.
4. Install In-Line vent set in a 1/4" caulk bead and cover with shingle overhanging a min 1/2". Continue shingles to the ridge.



CLIENT: SOCIETY HILL ADDRESS: PISCATAWAY, NJ	TITLE: EXISTING FIREWALL RIDGE VENT DETAIL	DATE: 08-2010 DRAWING BY: MC/PM	DRAWING # 10-047-13 SCALE: N.T.S.
---	---	--	--



ROOF MAINTENANCE SYSTEMS



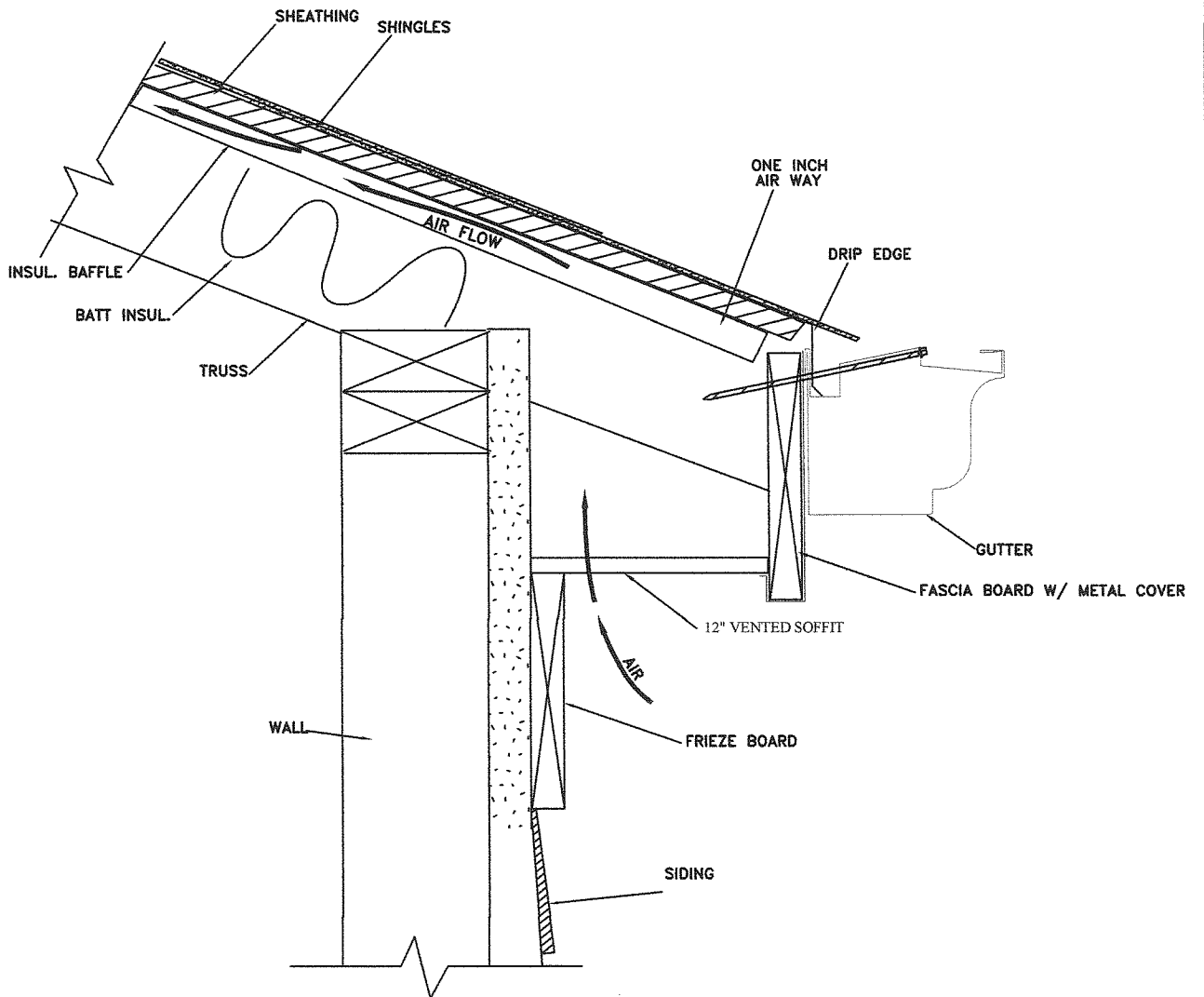
CLIENT: SOCIETY HILL	TITLE: RIDGE VENT DETAIL	DATE: 08-2010	DRAWING # 10-047-14
ADDRESS: PISCATAWAY, NJ		DRAWING BY: MC/PM	SCALE: N.T.S.



ROOF MAINTENANCE SYSTEMS

Notes:

1. Remove 24" in of plywood from the bottom edge and remove any insulation prohibiting air flow.
2. Install 24" of new plywood and install 2 courses of 36 in wide ice & water shield.
3. Install .032 alum drip edge to the eave fastening at a rate of 8" o.c.
4. Install starter strip and shingles w/ 1" overhang.
5. Install seamless .032" aluminum K-5 gutters with hidden hangers. (color to be selected by Association)



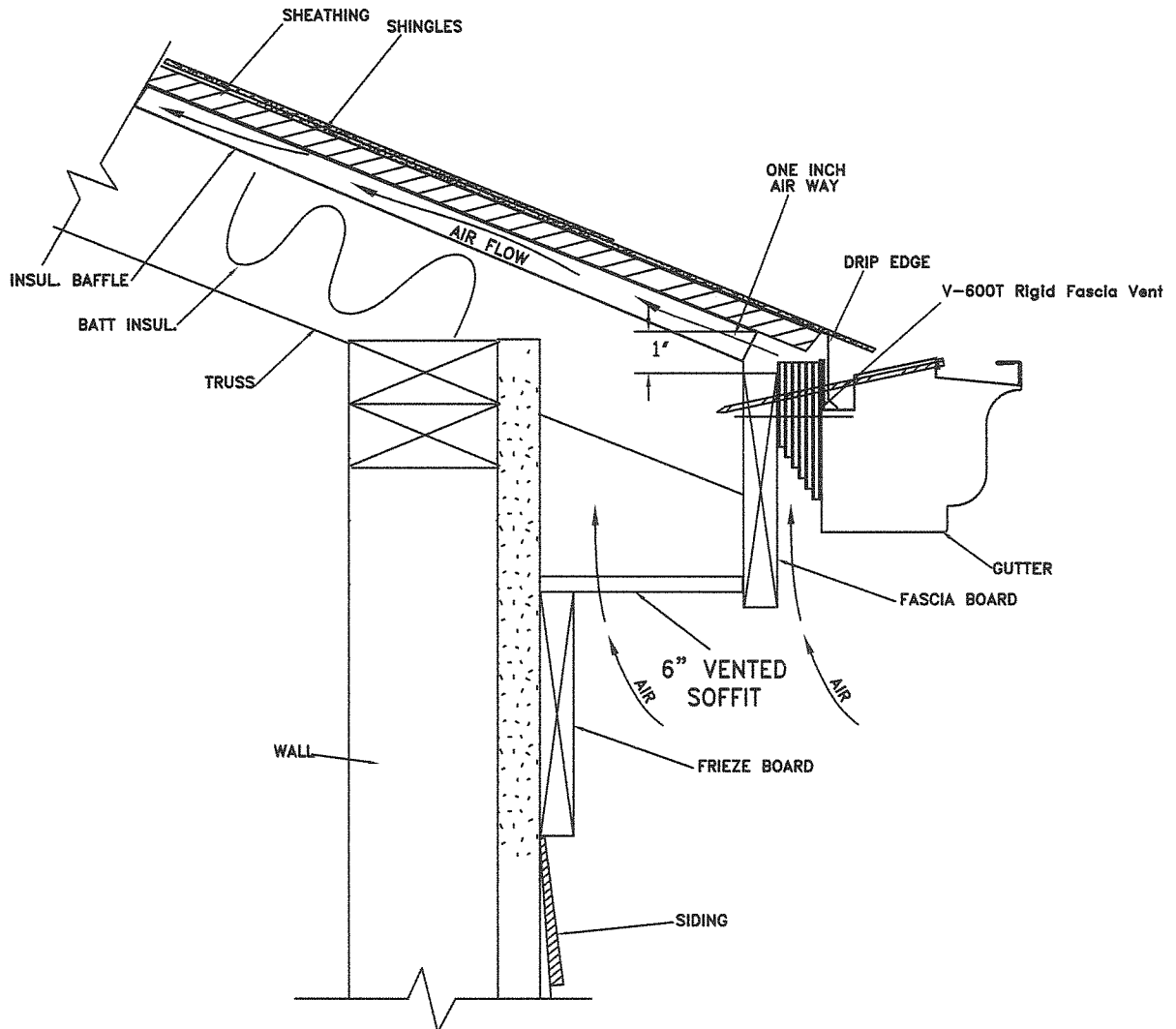
CLIENT: SOCIETY HILL	TITLE: TYPICAL GUTTER DETAIL	DATE: 08-2010	DRAWING # 10-047-15
ADDRESS: PISCATAWAY, NJ		DRAWING BY: MC/PM	SCALE: N.T.S.



R O O F M A I N T E N A N C E S Y S T E M S

Notes:

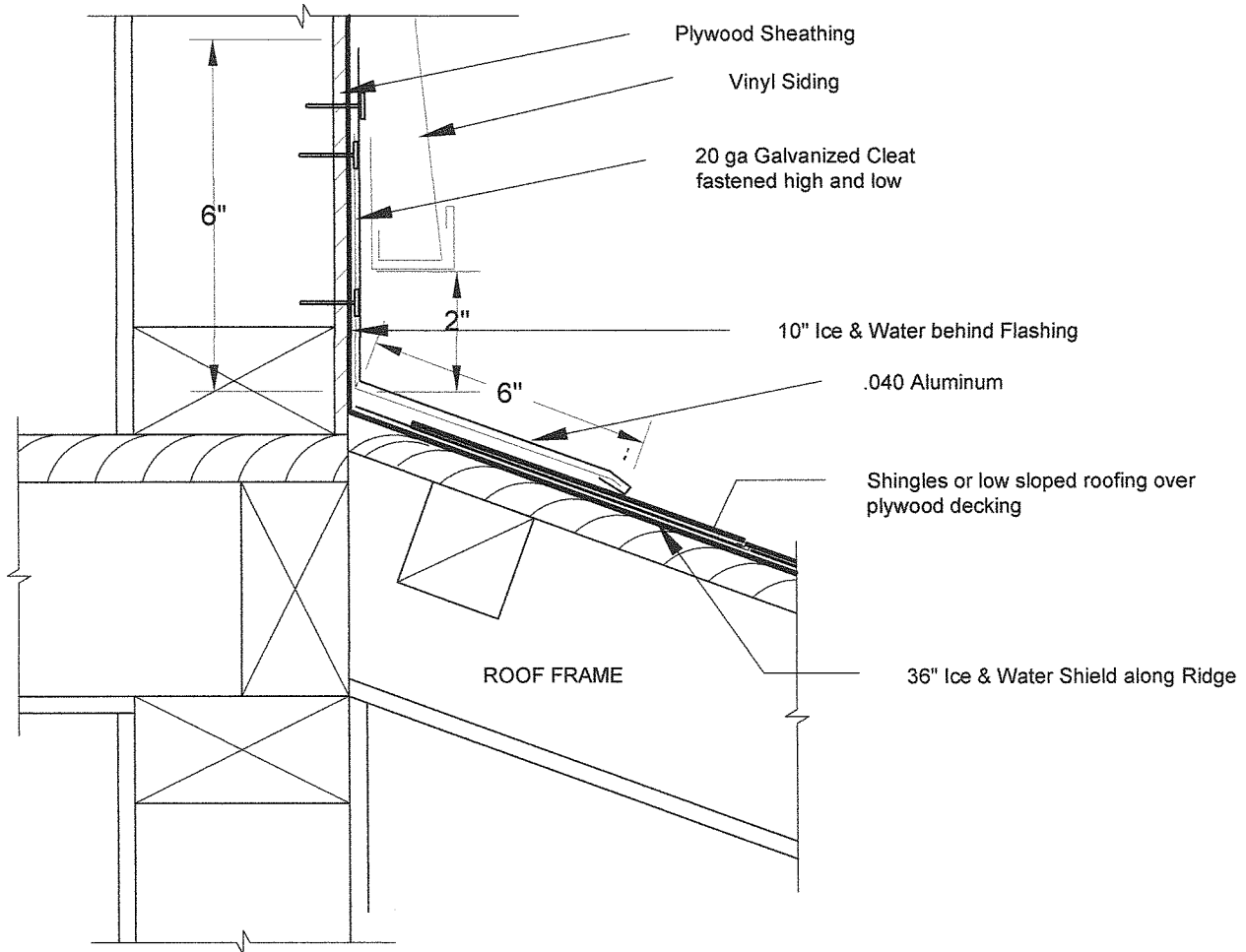
1. Remove 23" in of plywood from the bottom edge and remove any insulation prohibiting air flow.
2. Cut down fascia board 1" to allow for more airflow and install rigid fascia vent.(i.e. V600T Cor-A-Vent)
3. Install 24" of new plywood and install 2 courses of 36 in wide ice & water shield.
4. Install .032 alum drip edge to the eave fastening at a rate of 8" o.c.
5. Install starter strip and shingles w/ 1" overhang.
6. Install seamless .032" aluminum K-5 gutters.
(color to be selected by Association.)



CLIENT: SOCIETY HILL	TITLE: SOFFIT VENTING DETAIL	DATE: 08-2010	DRAWING # 10-047-16
ADDRESS: PISCATAWAY, NJ		DRAWING BY: MC/PM	SCALE: N.T.S.



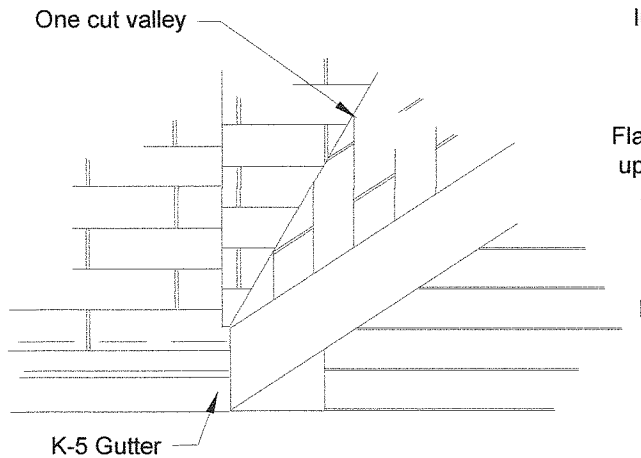
ROOF MAINTENANCE SYSTEMS



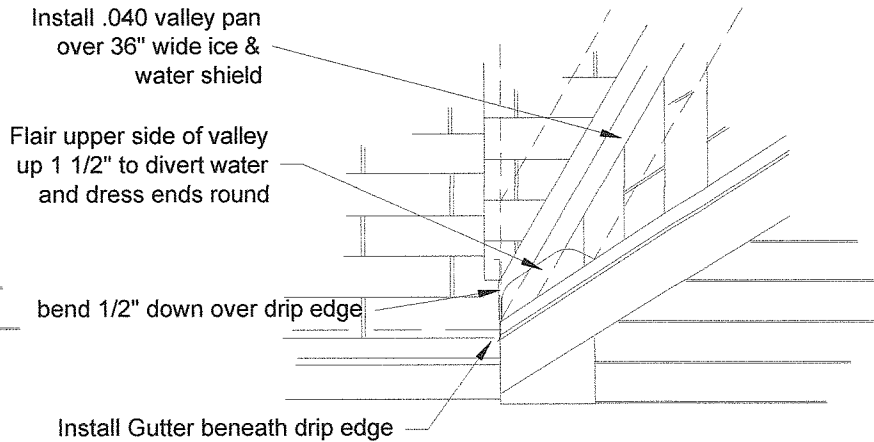
CLIENT: SOCIETY HILL ADDRESS: PISCATAWAY, NJ	TITLE: HEADWALL FLASHING DETAIL	DATE: 08-2010 DRAWING BY: MC/PM	DRAWING # 10-047-17 SCALE: N.T.S.
---	--	--	--



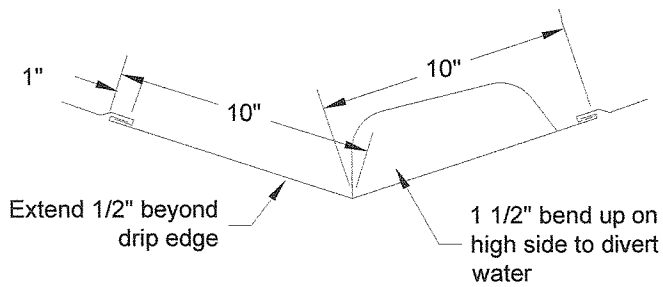
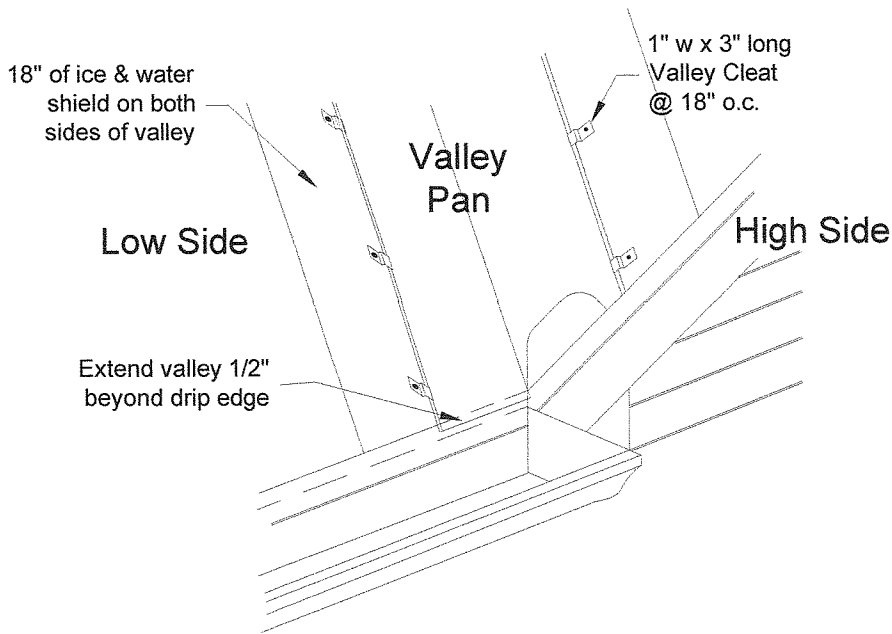
ROOF MAINTENANCE SYSTEMS



Existing Condition



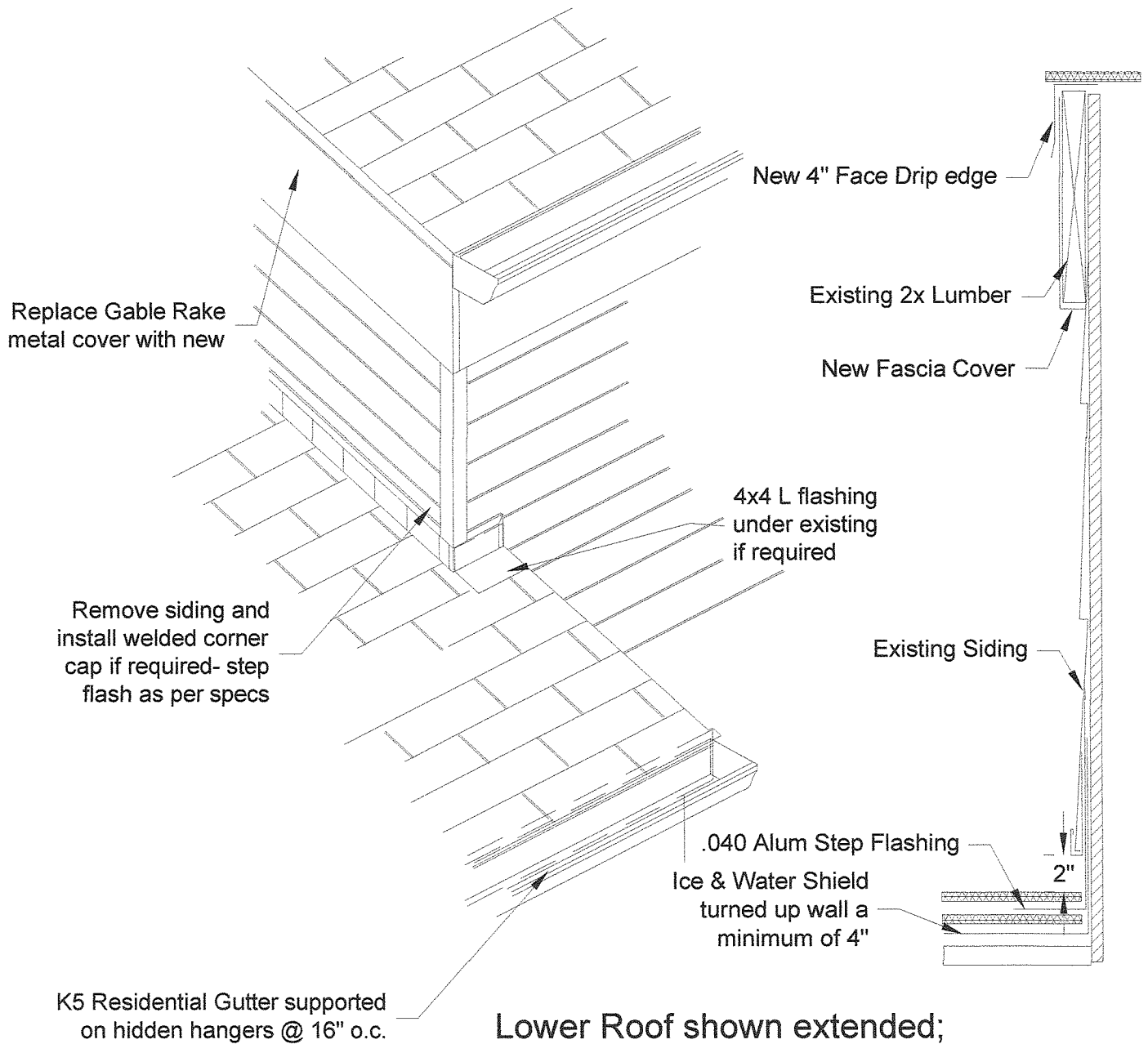
New Condition



CLIENT: SOCIETY HILL ADDRESS: PISCATAWAY, NJ	TITLE: DORMER VALLEY DETAIL	DATE: 08-2010 DRAWING BY: MC/PM	DRAWING # 10-047-18 SCALE: N.T.S.
---	------------------------------------	--	--



ROOF MAINTENANCE SYSTEMS



Lower Roof shown extended;
 If Upper roof extends beyond lower then start
 step flashings without corner cap.

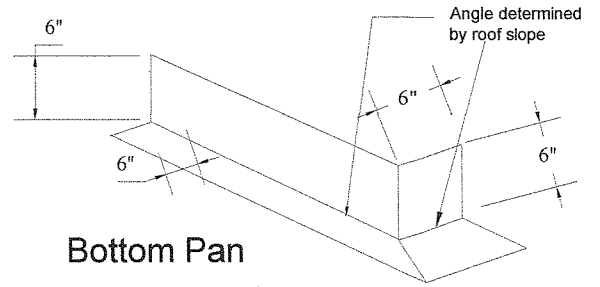
CLIENT: SOCIETY HILL	TITLE: RISING WALL OVER 15" DETAIL	DATE: 08-2010	DRAWING # 10-047-19
ADDRESS: PISCATAWAY, NJ		DRAWING BY: MC/PM	SCALE: N.T.S.



R O O F M A I N T E N A N C E S Y S T E M S

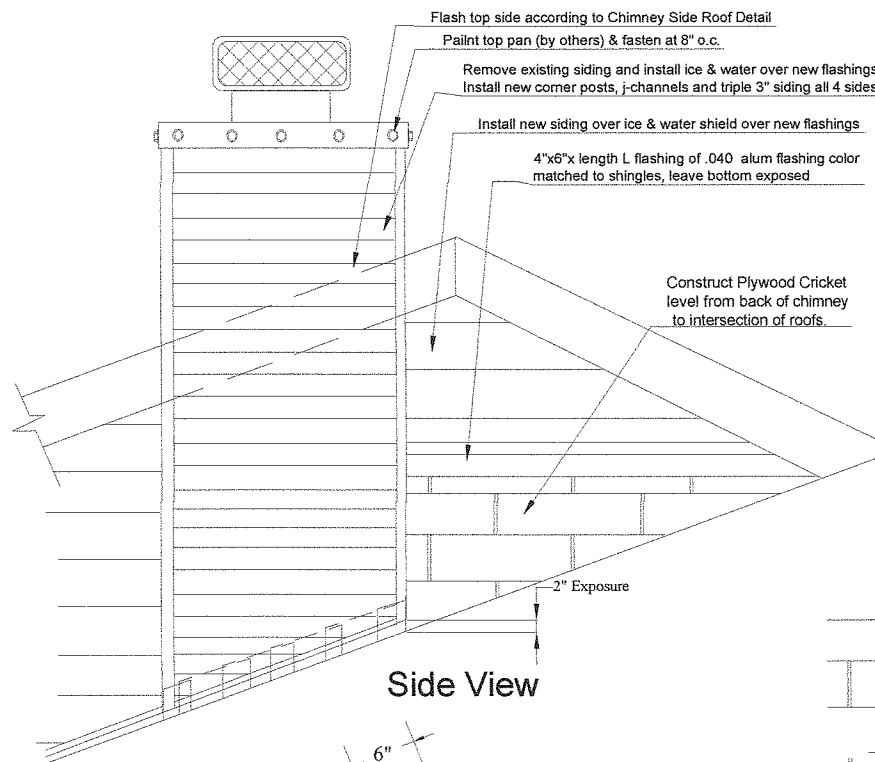
Notes:

1. Remove existing siding, j-channel and flashings from chimney and from gable above cricket.
2. Repair or install new plywood cricket properly supported & level behind chimney to intersection of roof slopes.
3. Install a min of 36" of ice & water shield around chimney and over cricket.
4. Install shingles until back row extends 4" beyond low side of chimney and install bottom pan.
5. Install shingles up roof slope installing one step flashing per shingle course.
6. At the corner of the chimney where it meets the cricket, install corner cap and continue shingles up roof slope installing one step flashing per shingle course.
7. Install 4" x 6" L shaped flashing along the gable wall with the 4" flange covering the last course of shingles on the cricket.
8. Install ice and water shield over the chimney face and gable covering a min 2" over the top of the new flashings.
9. Install new Corner Posts, J-Channel and siding to chimney and gable end.
10. Install new .040 Fascia.
11. The top pan of the chimney shall be scrapped and painted in a color selected by the Association and fastened at a min of 8" o.c.

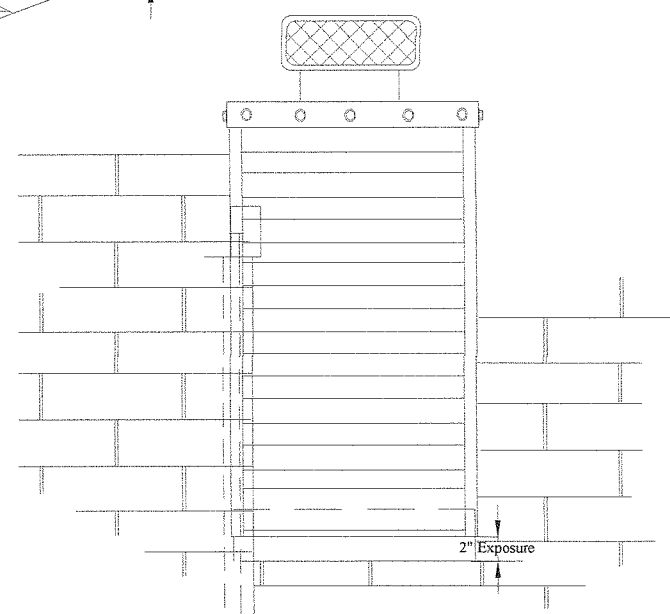
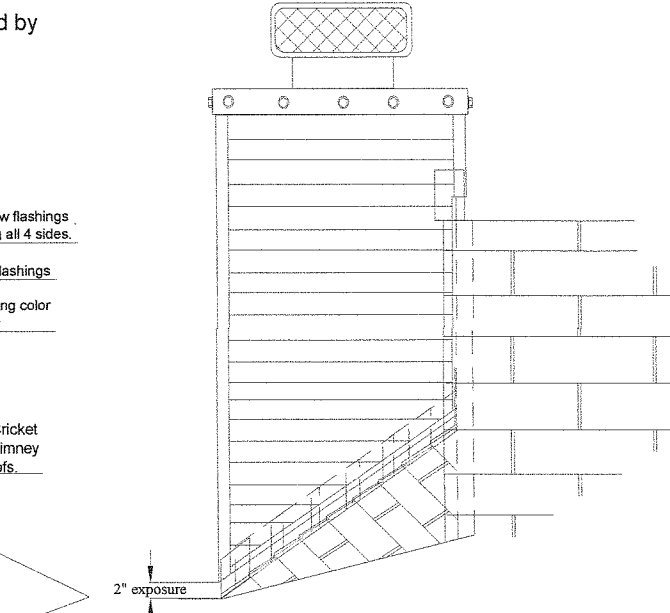


Bottom Pan

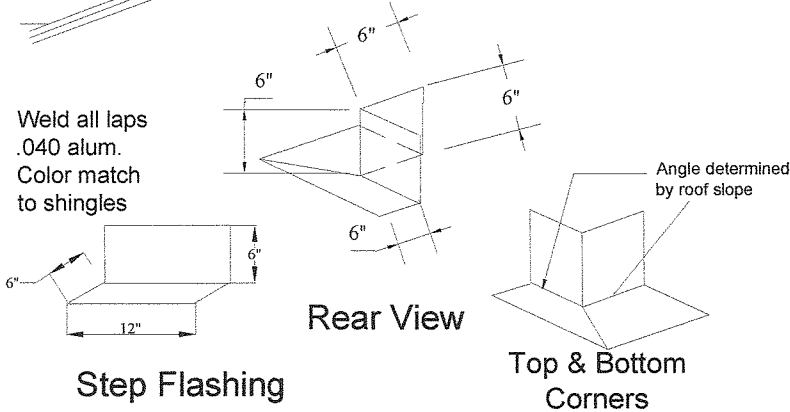
Length determined by chimney
 Weld any laps in fabrication
 .040 Aluminum
 Color to match
 Shingles



Side View



Bottom View



Step Flashing

Rear View

Top & Bottom Corners

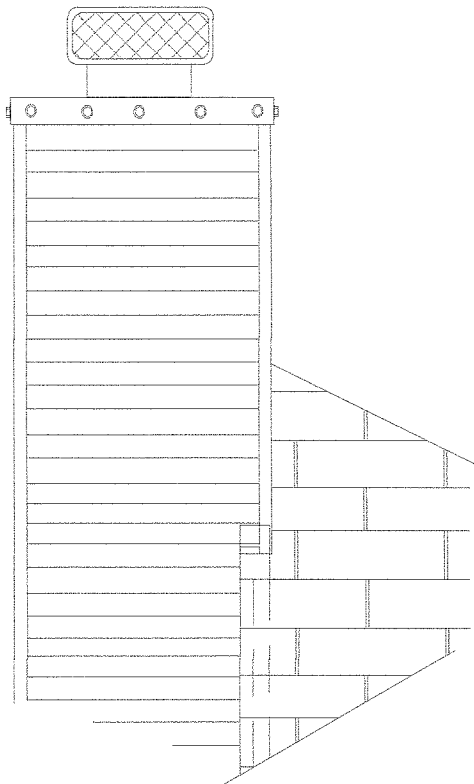
<p>CLIENT: SOCIETY HILL</p>	<p>TITLE: CHIMNEY AGAINST GABLE DETAIL</p>	<p>DATE: 08-2010</p>	<p>DRAWING # 10-047-20</p>
<p>ADDRESS: PISCATAWAY, NJ</p>		<p>DRAWING BY: MC/PM</p>	<p>SCALE: N.T.S.</p>



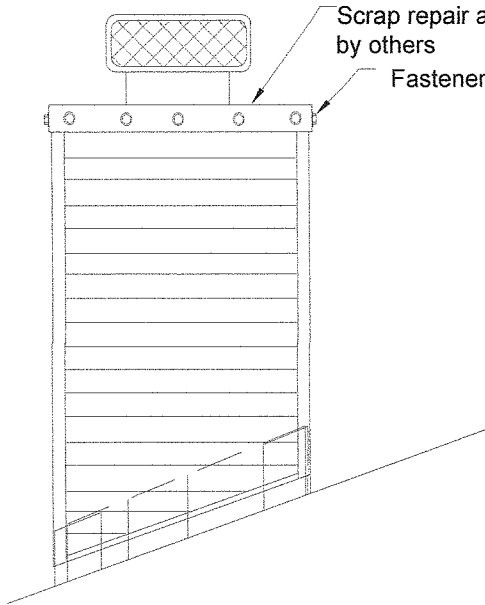
R O O F M A I N T E N A N C E S Y S T E M S

Notes:

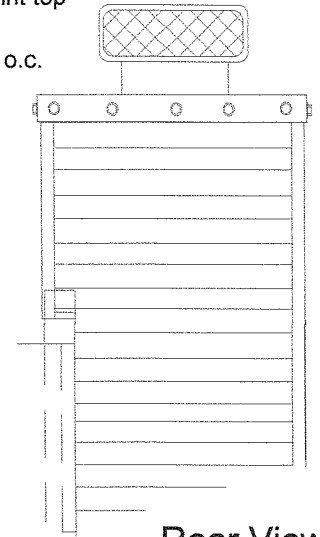
1. Remove existing siding, J-channels and flashings from side of chimney facing roof slope and discard.
2. Install 36" of Ice & Water shield up slope parallel to chimney and turn up chimney side 4"
3. Install shingles until back of row extends 4" beyond low side of chimney and install bottom pan behind existing siding.
4. Install shingles up roof slope installing one step flashing per shingle course.
5. Install top pan beneath siding and continue shingles up slope.
6. Wrap side of chimney with Ice & Water shield extending over the tops of metal flashing a min of 2".
7. Install new J-channel leaving a min of 2" exposure of the metal flashing.
8. Install new siding to match existing.
9. The top pan of the chimney shall be scrapped and painted in a color selected by the Association and fastened at a min 8" o.c.



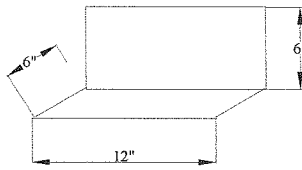
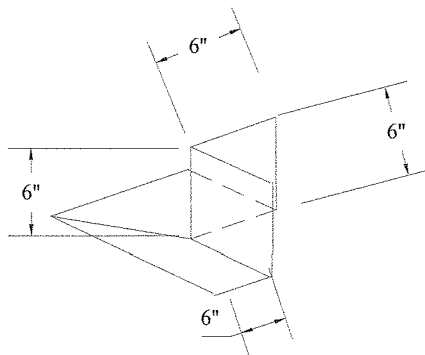
Bottom View



Side View

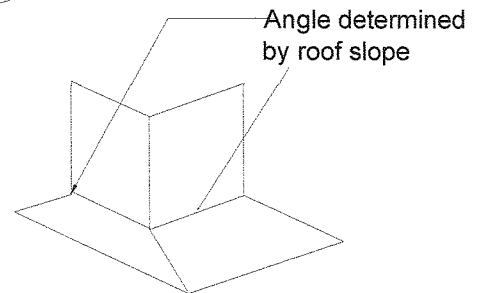


Rear View



Step Flashing

Weld all laps
.040 alum.

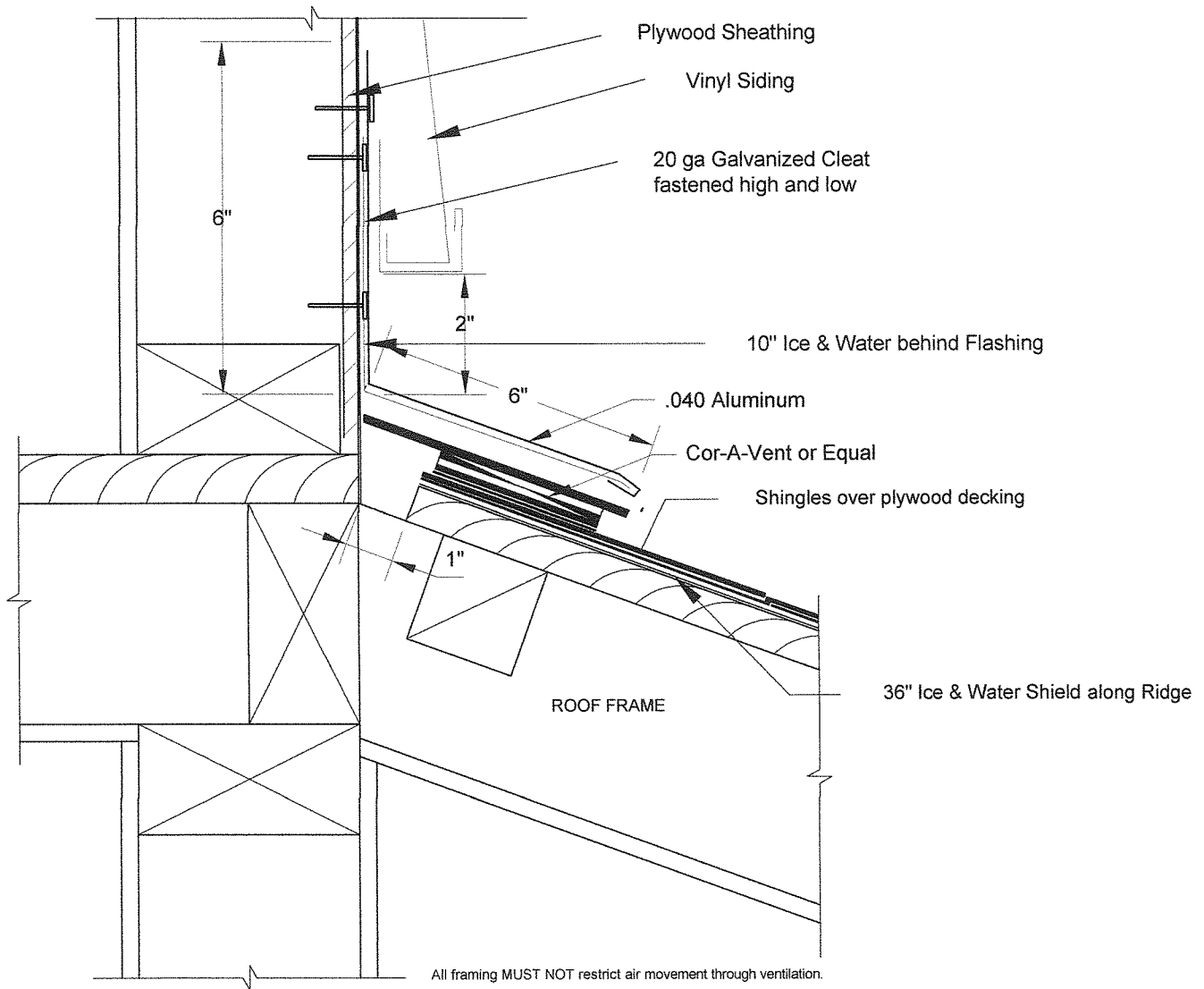


**Top &
Bottom Pan**

CLIENT: SOCIETY HILL ADDRESS: PISCATAWAY, NJ	TITLE: SIDE ROOF CHIMNEY DETAIL	DATE: 08-2010 DRAWING BY: MC/PM	DRAWING # 10-047-21 SCALE: N.T.S.
---	--	--	--



ROOF MAINTENANCE SYSTEMS



CLIENT: SOCIETY HILL	TITLE: HEADWALL VENTILATION DETAIL	DATE: 08-2010	DRAWING # 10-047-22
ADDRESS: PISCATAWAY, NJ		DRAWING BY: MC/PM	SCALE: N.T.S.

